

Link do produktu: <https://sklep.akcesoria-cnc.pl/przekladnia-slimakowa-nmr-040-301-p-220.html>



## Przekładnia ślimakowa NMRV-040 30:1

|  |                   |
|--|-------------------|
| Cena brutto                              | <b>339,00 zł</b>  |
| Cena netto                               | <b>275,61 zł</b>  |
| Dostępność                               | <b>Dostępny</b>   |
| Czas wysyłki                             | <b>24 godziny</b> |
| Kod producenta                           | <b>NMRV-040</b>   |
| Kod producenta                           | <b>NMRV-030</b>   |
| Marka                                    | <b>ZAX</b>        |
| Model                                    | <b>PX57N36</b>    |
| Waga produktu z opakowaniem jednostkowym | <b>1 kg</b>       |
| Stan opakowania                          | <b>oryginalne</b> |

### Opis produktu

Przekładnia kątowna ślimakowa do silników:  
BLDC, DC, serwo, serwo-krokowych NEMA24 (60mm)

Przekładnia współpracuje z każdym silnikiem z kołnierzem o rozmiarach 60x60mm

### Parametry przekładni

- przełożenie 30:1
- moment obrotowy znamionowy 26Nm
- wymiary 120x120x70mm
- do silnika rozmiaru NEMA24 (60mm)
- rozstaw otworów mocujących silnik 50mm
- wał wejściowy silnika - 14mm
- otwór przelotowy na wał fi 18mm
- waga 2kg

W zestawie:

- przekładnia

| Model | Diameter(mm)  |        | Matched Motor       |               |             | Allowable max Torque |
|-------|---------------|--------|---------------------|---------------|-------------|----------------------|
|       | Input         | Output | BLDC motor          | Stepper motor | Servo motor |                      |
| RV30  | 8 or 6.5mm    | 14mm   | 180w, 57mm          | 57mm          | -           | 18Nm                 |
| RV40  | 14mm          | 18mm   | 400w, 80 and 86mm   | 86mm          | 60mm        | 50Nm                 |
| RV50  | 14 or 19mm    | 25mm   | 750w, 80 and 86mm   | 86mm,110mm    | 80mm,110mm  | 80Nm                 |
| RV63  | 19,22 or 24mm | 25mm   | 1000w, 86 and 110mm | 110mm         | 130mm       | 120Nm                |



18mm output shaft diameter  
6mm keyway

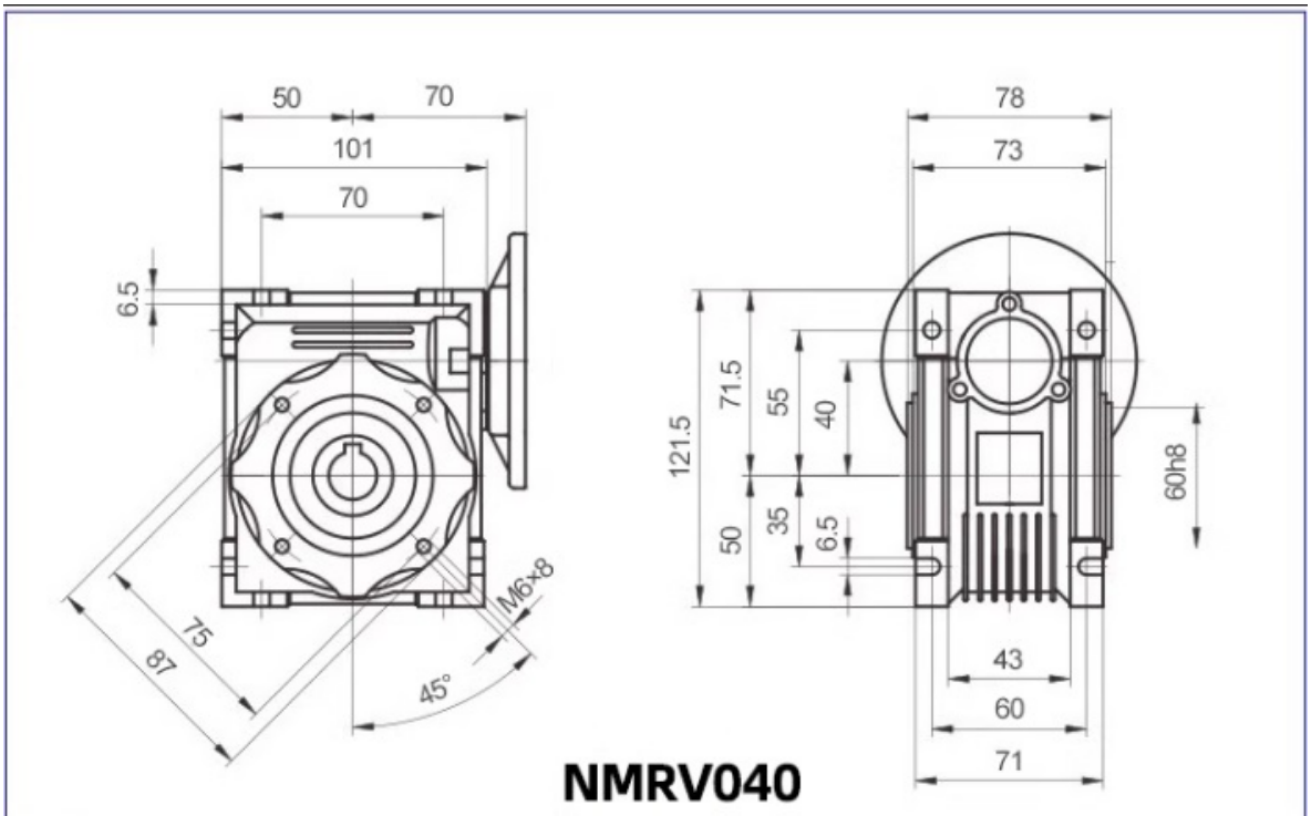
## NMRV040

**Gear ratio:** 5 7.5 10 15 20  
25 30 40 50 60 80 100

**For nema34 stepper motor**

14mm input shaft diameter  
5mm keyway

Wymiary przekładni



Parametry

## 5. 选型参数 Parameter Selections

### 5.1 单级减速机 (法兰输入, 输入转速1400r/min) / (配4极电机)

5.1 Single step reducer (flange input, input speed is 1400r/min)/(matched with 4 poles motor)

| 机型代号<br>Model<br>code | 输出转速<br>Output<br>speed<br>r/min | 输出转矩<br>Output<br>torque<br>N.m | 传动比<br>Transmission<br>ratio<br>i | 输出轴径<br>向力<br>Output<br>radial force<br>kN | 使用<br>系数<br>fs | 机型代号<br>Model<br>code | 输出转速<br>Output<br>speed<br>r/min | 输出转矩<br>Output<br>torque<br>N.m | 传动比<br>Transmission<br>ratio<br>i | 输出轴径<br>向力<br>Output<br>radial force<br>kN | 使用<br>系数<br>fs |      |
|-----------------------|----------------------------------|---------------------------------|-----------------------------------|--|----------------|-----------------------|----------------------------------|---------------------------------|-----------------------------------|--|----------------|------|
| 025                   | <b>0.06kw</b>                    |                                 |                                   |  |                | 030                   | <b>0.12kw</b>                    |                                 |                                   |  |                |      |
|                       | 186.7                            | 2.6                             | 7.5                               | 0.5  | 4.2            |                       | 140                              | 6.7                             | 10                                | 0.75                                       | 2.7            |      |
|                       | 140                              | 3.4                             | 10                                | 0.55                                       | 3.5            |                       | 93.3                             | 9.5                             | 15                                | 0.86                                       | 1.9            |      |
|                       | 93.3                             | 4.9                             | 15                                | 0.63                                       | 2.5            |                       | 70                               | 12                              | 20                                | 0.94                                       | 1.5            |      |
|                       | 70                               | 6.1                             | 20                                | 0.69                                       | 2.0            |                       | 56                               | 14                              | 25                                | 1.02                                       | 1.5            |      |
|                       | 46.7                             | 8.2                             | 30                                | 0.79                                       | 1.6            |                       | 46.7                             | 16                              | 30                                | 1.08                                       | 1.3            |      |
|                       | 35                               | 10                              | 40                                | 0.87                                       | 1.3            |                       | 35                               | 19                              | 40                                | 1.19                                       | 0.9            |      |
|                       | 28                               | 12                              | 50                                | 0.94                                       | 0.9            |                       | 28                               | 23                              | 50                                | 1.28                                       | 0.8            |      |
| 23.3                  | 14                               | 60                              | 1                                 | 0.7  | 040            | 46.7                  | 17.2                             | 30                              | 2.08                              | 2.6  |                |      |
| 030                   | 186.7                            | 2.6                             | 7.5                               | 0.68                                       |                | 6.9                   | 35                               | 21                              | 40                                | 2.29                                       | 1.9            |      |
|                       | 140                              | 3.4                             | 10                                | 0.75                                       |                | 5.4                   | 28                               | 25                              | 50                                | 2.47                                       | 1.5            |      |
|                       | 93.3                             | 4.7                             | 15                                | 0.86                                       |                | 3.8                   | 23.3                             | 28                              | 60                                | 2.63                                       | 1.3            |      |
|                       | 70                               | 6                               | 20                                | 0.94                                       |                | 3.0                   | 17.5                             | 34                              | 80                                | 2.89                                       | 1.0            |      |
|                       | 56                               | 7                               | 25                                | 1.02                                       |                | 3.0                   | 14                               | 38                              | 100                               | 3.11                                       | 0.8            |      |
|                       | 46.7                             | 8                               | 30                                | 1.08                                       | 2.5            | 050                   | 23.3                             | 29                              | 60                                | 3.61                                       | 2.3            |      |
|                       | 35                               | 9.7                             | 40                                | 1.19                                       | 1.9            |                       | 17.5                             | 35                              | 80                                | 3.97                                       | 1.9            |      |
|                       | 28                               | 11                              | 50                                | 1.28                                       | 1.5            |                       | 14                               | 40                              | 100                               | 4.28                                       | 1.4            |      |
| 23.3                  | 13                               | 60                              | 1.36                              | 1.3  | 030            | <b>0.18kw</b>         |                                  |                                 |                                   |  |                |      |
| 17.5                  | 14                               | 80                              | 1.5                               | 0.9  |                | 186.7                 | 7.8                              | 7.5                             | 0.68                              | 2.3  |                |      |
| 025                   | <b>0.09kw</b>                    |                                 |                                   |  |                | 040                   | 140                              | 10                              | 10                                | 0.75                                       | 1.8            |      |
|                       | 186.7                            | 3.9                             | 7.5                               | 0.5  |                |                       | 2.8                              | 93.3                            | 14                                | 15   | 0.86           | 1.3  |
|                       | 140                              | 5.1                             | 10                                | 0.55                                       |                |                       | 2.4                              | 70                              | 18                                | 20   | 0.94           | 1.0  |
|                       | 93.3                             | 7.3                             | 15                                | 0.63                                       |                |                       | 1.6                              | 56                              | 21                                | 25   | 1.02           | 1.0  |
|                       | 70                               | 9.2                             | 20                                | 0.69                                       | 1.3            |                       | 46.7                             | 24                              | 30                                | 1.08                                       | 0.8            |      |
|                       | 46.7                             | 12                              | 30                                | 0.79                                       | 1.1            |                       | 050                              | 70                              | 19                                | 20   | 1.82           | 2.0  |
|                       | 35                               | 15                              | 40                                | 0.87                                       | 0.9            |                       |                                  | 56                              | 23                                | 25   | 1.96           | 1.7  |
|                       | 030                              | 186.7                           | 3.9                               | 7.5  | 0.68           |                       |                                  | 4.6                             | 46.7                              | 26   | 30             | 2.08 |
| 140                   |                                  | 5                               | 10                                | 0.75                                       | 3.6            | 35                    |                                  | 32                              | 40                                | 2.29                                       | 1.3            |      |
| 93.3                  |                                  | 7.1                             | 15                                | 0.86                                       | 2.5            | 28                    |                                  | 38                              | 50                                | 2.47                                       | 1.0            |      |
| 70                    |                                  | 9                               | 20                                | 0.94                                       | 2.0            | 23.3                  |                                  | 43                              | 60                                | 2.63                                       | 0.8            |      |
| 56                    |                                  | 10                              | 25                                | 1.02                                       | 2.0            | 040                   | 35                               | 32                              | 40                                | 3.15                                       | 2.3            |      |
| 46.7                  |                                  | 12                              | 30                                | 1.08                                       | 1.7            |                       | 28                               | 39                              | 50                                | 3.39                                       | 1.9            |      |
| 35                    |                                  | 14                              | 40                                | 1.19                                       | 1.2            |                       | 23.3                             | 43                              | 60                                | 3.61                                       | 1.6            |      |
| 28                    |                                  | 17                              | 50                                | 1.28                                       | 1.0            | 17.5                  | 52                               | 80                              | 3.97                              | 1.2  |                |      |
| 23.3                  | 19                               | 60                              | 1.36                              | 0.9  | 14             | 60                    | 100                              | 4.28                            | 0.9                               |  |                |      |
| 040                   | 28                               | 19                              | 50                                | 2.47                                       | 2.0            | <b>0.25kw</b>         |                                  |                                 |                                   |  |                |      |
|                       | 23.3                             | 21                              | 60                                | 2.63                                       | 1.7            | 186.7                 | 11                               | 7.5                             | 1.31                              | 3.6  |                |      |
|                       | 17.5                             | 26                              | 80                                | 2.89                                       | 1.3            | 140                   | 14                               | 10                              | 1.44                              | 2.8  |                |      |
|                       | 14                               | 29                              | 100                               | 3.11                                       | 1.0            | 93.3                  | 21                               | 15                              | 1.65                              | 1.9  |                |      |
| 030                   | <b>0.12kw</b>                    |                                 |                                   |  |                | 040                   | 70                               | 27                              | 20                                | 1.82                                       | 1.5            |      |
|                       | 186.7                            | 5.2                             | 7.5                               | 0.68                                       | 3.4            |                       |                                  |                                 |                                   |  |                |      |